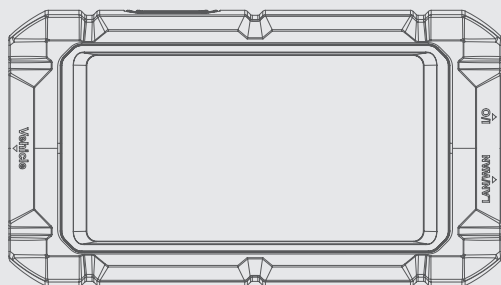


# TOPDON

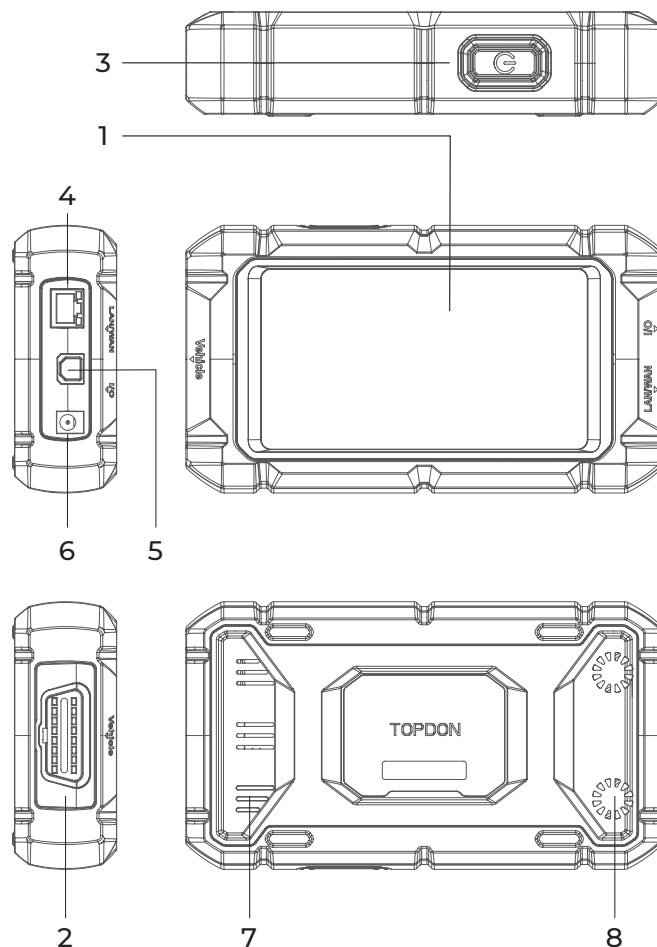
## Quick User Guide



### RLink Lite

Professional Vehicle Communication Interface

Thank you for purchasing the TOPDON RLink Lite. This quick user guide will walk you through the basic setup and operation of the RLink Lite. Please carefully read all the instructions before use. For further information, please download the detailed user manual via [www.topdon.com/products/rlink-lite](http://www.topdon.com/products/rlink-lite) or through the QR code below.



## Product Overview

- |    |                        |    |                 |
|----|------------------------|----|-----------------|
| 1. | 5-inch Touch Screen    | 5. | USB Type-B Port |
| 2. | OBD-II Diagnostic Port | 6. | DC Input Jack   |
| 3. | Power Button           | 7. | Audio Speaker   |
| 4. | RJ45 Ethernet Port     | 8. | Cooling Fan     |

TEL 86-755-21612590  
1-833-629-4832 (NORTH AMERICA)

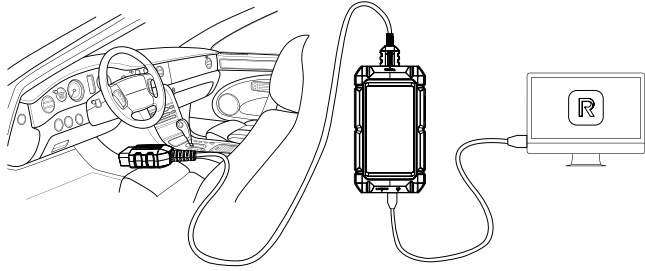
EMAIL SUPPORT@TOPDON.COM

WEBSITE WWW.TOPDON.COM

FACEBOOK @TOPDONOFFICIAL

TWITTER @TOPDONOFFICIAL

## Preparation for Local Diagnostics



- ① Connect the RLink Lite to the vehicle's Data Link Connector (DLC) using the supplied OBD-II diagnostic cable.  
The vehicle's DLC is usually located under the dashboard.  
**Note: Ensure the ignition is OFF before plugging in the unit.**
- ② Connect the RLink Lite to a PC using the supplied USB 2.0 cable.  
Press and hold the power button to turn on the RLink Lite.
- ③ Download and install the Rlink Platform software to your PC.  
Go to [www.topdon.com/products/flink-lite](http://www.topdon.com/products/flink-lite) to download and install the Rlink Platform software.
- ④ Launch the software, and follow the on-screen instructions to register the RLink Lite and download the specific driver for the OEM diagnostic software you will be using for local diagnostics.
- ⑤ Open the OEM diagnostic software to complete the setup process.
- ⑥ Turn the ignition to the "ON" position.
- ⑦ You are now ready to start diagnosing the vehicle.

## FCC Statement

Any changes or modifications not expressly approved by the party responsible for compliance could void the user's authority to operate the equipment. This device complies with Part 15 of the FCC Rules. Operation is subject to the following two conditions:

- (1) this device may not cause harmful interference, and
- (2) this device must accept any interference received, including interference that may cause undesired operation.

Note: This equipment has been tested and found to comply with the limits for a Class B digital device, pursuant to Part 15 of the FCC Rules. These limits are designed to provide reasonable protection against harmful interference in a residential installation. This equipment generates, uses, and can radiate radio frequency energy, and if not installed and used in accordance with the instructions, may cause harmful interference to radio communications. However, there is no guarantee that interference will not occur in a particular installation. If this equipment does cause harmful interference to radio or television reception, which can be determined by turning the equipment off and on, the user is encouraged to try to correct the interference by one or more of the following measures:

- Reorient or relocate the receiving antenna.
- Increase the separation between the equipment and receiver.
- Connect the equipment into an outlet on a circuit different from that to which the receiver is connected.
- Consult the dealer or an experienced radio/TV technician for help.